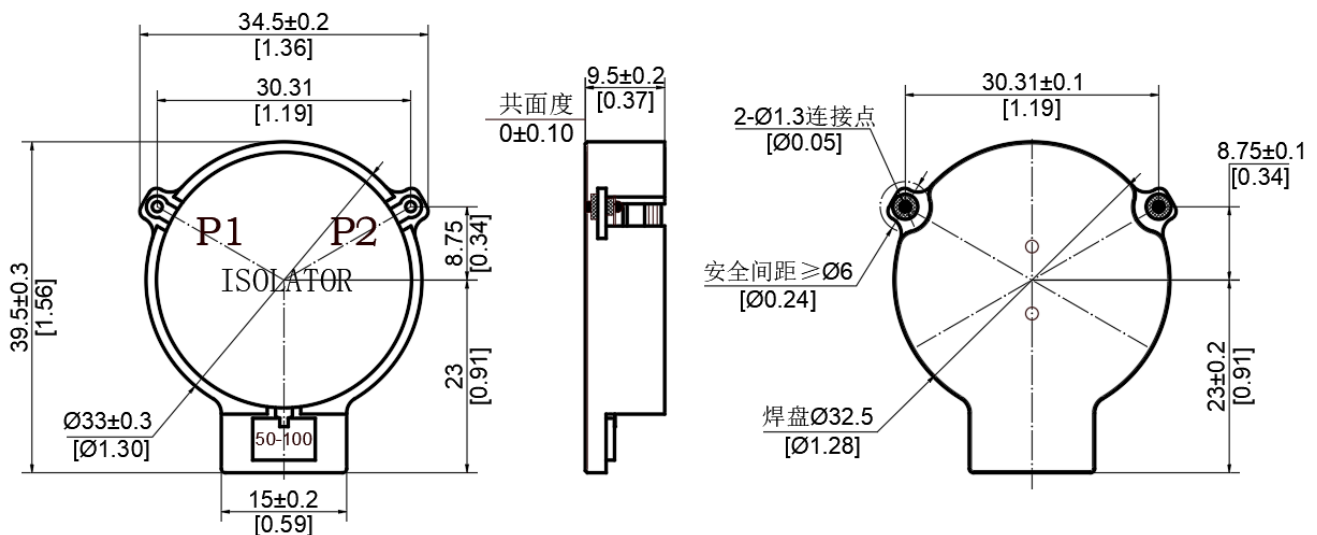


Shenzhen Nordson Bo Communication Co., Ltd

PRODUCT SPECIFICATION

Parameter	Units	Spec	
Product Name		Clockwise SMT Isolator	
Product Model		SI030SA-600-800-100-1	
Product Code		101.904.0xxx	
Documentation Edition		V1.0	
RoHS		RoHS 2.0	
Frequency Range	MHz	600-800	
Temperature Range	°C	+25°C	-40°C~+90°C
Insertion Loss	dB	≤0.50	≤0.60
Isolation	dB	≥18.0	≥16.0
VSWR		≤1.30	≤1.40
Peak Power	W	3000	
AVG Power	W	300	
Load	W	100/250	
Connector Type		SMT	
Direction of circulation		CW	
Storage Temperature	°C	-50°C~+110°C	
Outline Drawing	mm	D33-39.5*9.5	

Unit: mm/ inch, General part tolerance is ±2% unless otherwise stated.



Shenzhen Nordson Bo Communication Co., Ltd